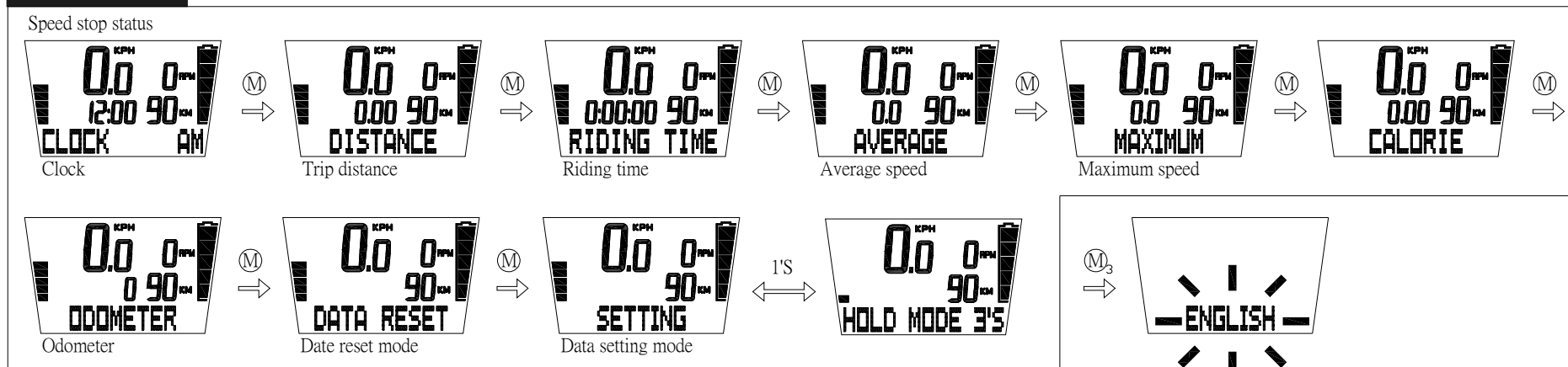
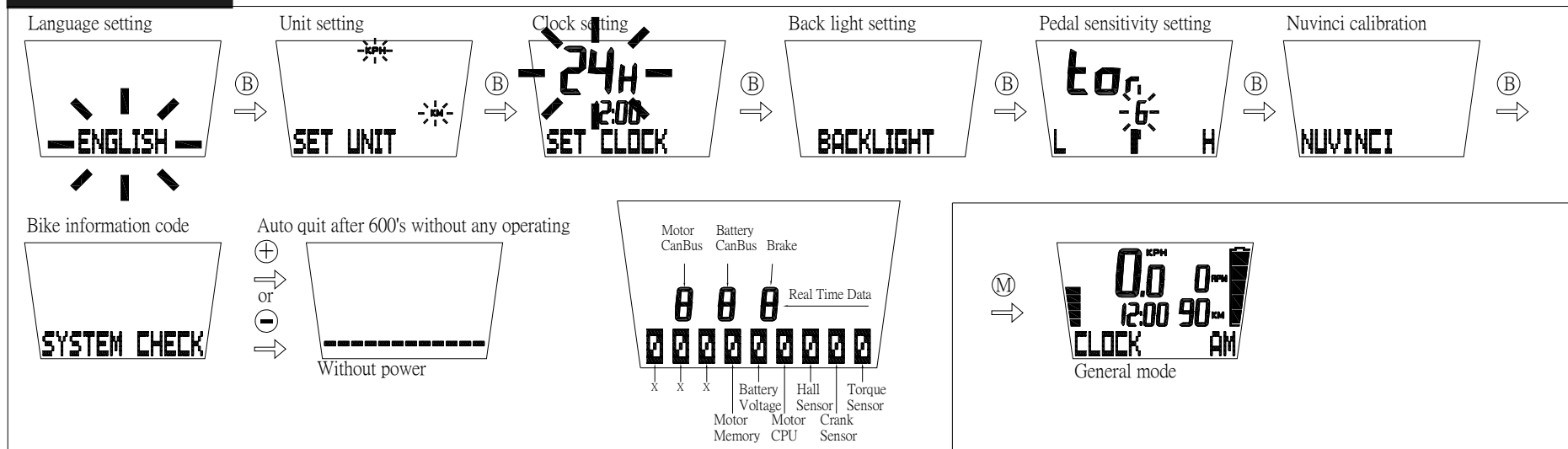
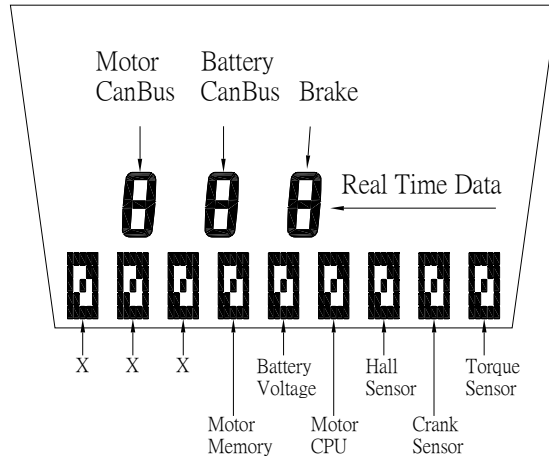


General mode

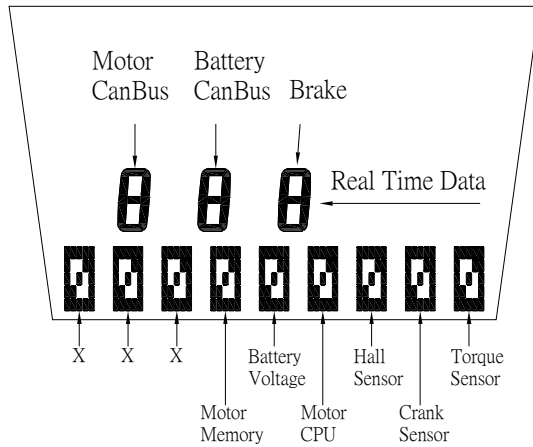


Data setting mode





Information code	正常	MPF 系統故障判別	改善措施
Motor CanBus	1 (Motor CanBus 正常)	0	<ol style="list-style-type: none"> 1. 重新開機 2. 檢查 Display 接頭 3. 連絡服務中心
Battery CanBus	0 (no Battery CanBus) 1 (with Battery CanBus)		<ol style="list-style-type: none"> 1. 確認電池具有 CanBus 功能 2. 重新開機 3. 檢查 CanBus 接頭 4. 更換電池 5. 連絡服務中心
Brake	按下煞把顯示 1，放開則顯示 0。	按下煞把沒有顯示 1，放開沒有顯示 0。	<ol style="list-style-type: none"> 1. 此功能僅限於配有煞車訊號之煞車 2. 檢查接頭 3. 更換煞車零件 4. 連絡服務中心
Motor Memory	0	1	<ol style="list-style-type: none"> 1. 重新設定扭力值 2. 連絡服務中心
Battery Voltage	顯示 0 (電壓大於 33V)	顯示 1 (電壓小於 33V)	<ol style="list-style-type: none"> 1. 充飽電池 2. 更換電池 3. 連絡服務中心
Motor CPU	0	1	<ol style="list-style-type: none"> 1. 連絡服務中心
Hall sensor	0	1	<ol style="list-style-type: none"> 1. 連絡服務中心
Crank sensor	往前踩顯示 0 往後踩顯示 1。	往前踩顯示 1。	<ol style="list-style-type: none"> 1. 連絡服務中心
Torque sensor	用力踩踏板顯示 0 放開則顯示 1。	踩踏板後無法顯示 0，或放開後無法顯示 1。	<ol style="list-style-type: none"> 1. 重新設定扭力值 2. 連絡服務中心



Information code	Normal	MPF System fails	Corrective Measures
Motor CanBus	1 (with Motor CanBus)	0	<ol style="list-style-type: none"> 1. Restart 2. Check the Display plug 3. Contact service center
Battery CanBus	0 (no Battery CanBus) 1 (with Battery CanBus)	N/A	<ol style="list-style-type: none"> 1. Ensure the battery is with CanBus function 2. Restart 3. Check the CanBus plug 4. Replace the battery 5. Contact service center
Brake	1 (Brake) 0 (Release)	Could not transfer to 1 when braking , or to 0 when releasing.	<ol style="list-style-type: none"> 1. This function is only available when there is brake signal 2. Check the plug 3. Replace the brake 4. Contact service center
Motor Memory	0	1	<ol style="list-style-type: none"> 1. Reset torque value 2. Contact service center
Battery Voltage	0 (voltage >33V)	1 (voltage < 33V)	<ol style="list-style-type: none"> 1. Charge the battery 2. Replace the battery 3. Contact service center
Motor CPU	0	1	<ol style="list-style-type: none"> 1. Contact service center
Hall sensor	0	1	<ol style="list-style-type: none"> 1. Contact service center
Crank sensor	0 (pedal forward) 1 (pedal backward)	1 (pedal forward)	<ol style="list-style-type: none"> 1. Contact service center
Torque sensor	0 (Pedal hardly) 1 (Release)	Could not transfer to 0 when pedalling, or to 1 when releasing.	<ol style="list-style-type: none"> 1. Reset torque value. 2. Contact service center